

Serrated Washer

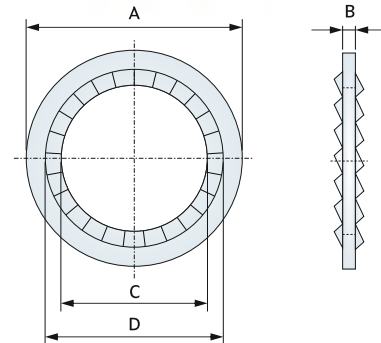
Serrated washer also known as “Vibration Proof Washers”. Serrated washers have the unique feature of serrations on internal surfaces. When final flattening of the safety washer occurs with tightening of the screw, these serrations bite into the mating faces, thus preventing loosening of the screw, nut, bolt, etc due to vibration. Serrated washers are ready to fit washer to sustain preload and avoid loosening. Due to above feature of serrated washer are also used in cable gland accessories. Serrated Washers fitted internally to the equipment and before a locknut act as an anti-vibration device to prevent the cable gland or other cable entry device and locknut. Particularly required in situation where vibrating heavy machinery such as mud, shakers vibrating machine or pump, drilling.

Material : Steel 316L grade and also available in mild steel

Size : M16 to M130 & ½" to 5" NPT

Standard : DIN 6798J

- Features** :
1. Used for high vibration resistance due to positive equipment contact.
 2. Excellent pretensioning.
 3. Through proper radius selection, no splitting/ cracking occurs during tightening.
 4. Extensive application, flexibility and minimizes stocks.



Code	Size	A	B	C	D	No. of Serrations	Serration Stand-off
CSW-16	M16	26.00	1.00	17.50	21.00	16.00	1.25
CSW-20	M20	33.00	1.50	21.00	26.00	16.00	1.25
CSW-25	M25	38.00	1.50	25.50	33.50	16.00	1.25
CSW-32	M32	48.00	1.50	33.00	38.50	18.00	1.25
CSW-40	M40	58.00	1.50	40.00	50.00	20.00	1.25
CSW-50	M50	66.00	1.50	51.00	60.00	30.00	1.25
CSW-63	M63	80.00	1.50	64.00	82.00	28.00	1.25
CSW-75	M75	101.00	1.50	76.00	90.00	28.00	1.25
CSW-90	M90	127.00	1.50	90.00	110.00	36.00	1.25
CSW-100	M100	145.00	1.50	100.40	125.00	32.00	1.25
CSW-115	M115	159.00	1.50	115.40	139.00	36.00	1.25
CSW-130	M130	185.00	1.50	130.40	156.00	40.00	1.25
CSW-012	½" NPT	32.50	1.40	22.00	26.00	16.00	1.25
CSW-034	¾" NPT	40.00	1.40	27.40	33.50	16.00	1.25
CSW-110	1" NPT	43.50	1.40	34.10	38.50	16.00	1.25
CSW-114	1¼" NPT	64.50	1.40	42.90	53.00	20.00	1.25
CSW-112	1½" NPT	80.00	1.40	49.00	67.00	30.00	1.25
CSW200	2" NPT	100.00	1.40	61.00	76.00	28.00	1.25
CSW-212	2½" NPT	112.00	1.40	73.80	90.00	28.00	1.25
CSW-300	3" NPT	135.00	1.60	89.60	110.00	36.00	1.25
CSW-312	3½" NPT	145.00	1.60	102.30	125.00	32.00	1.25
CSW-400	4" NPT	159.00	1.60	115.00	139.20	36.00	1.25
CSW-500	5" NPT	185.00	1.60	142.00	165.00	40.00	1.25